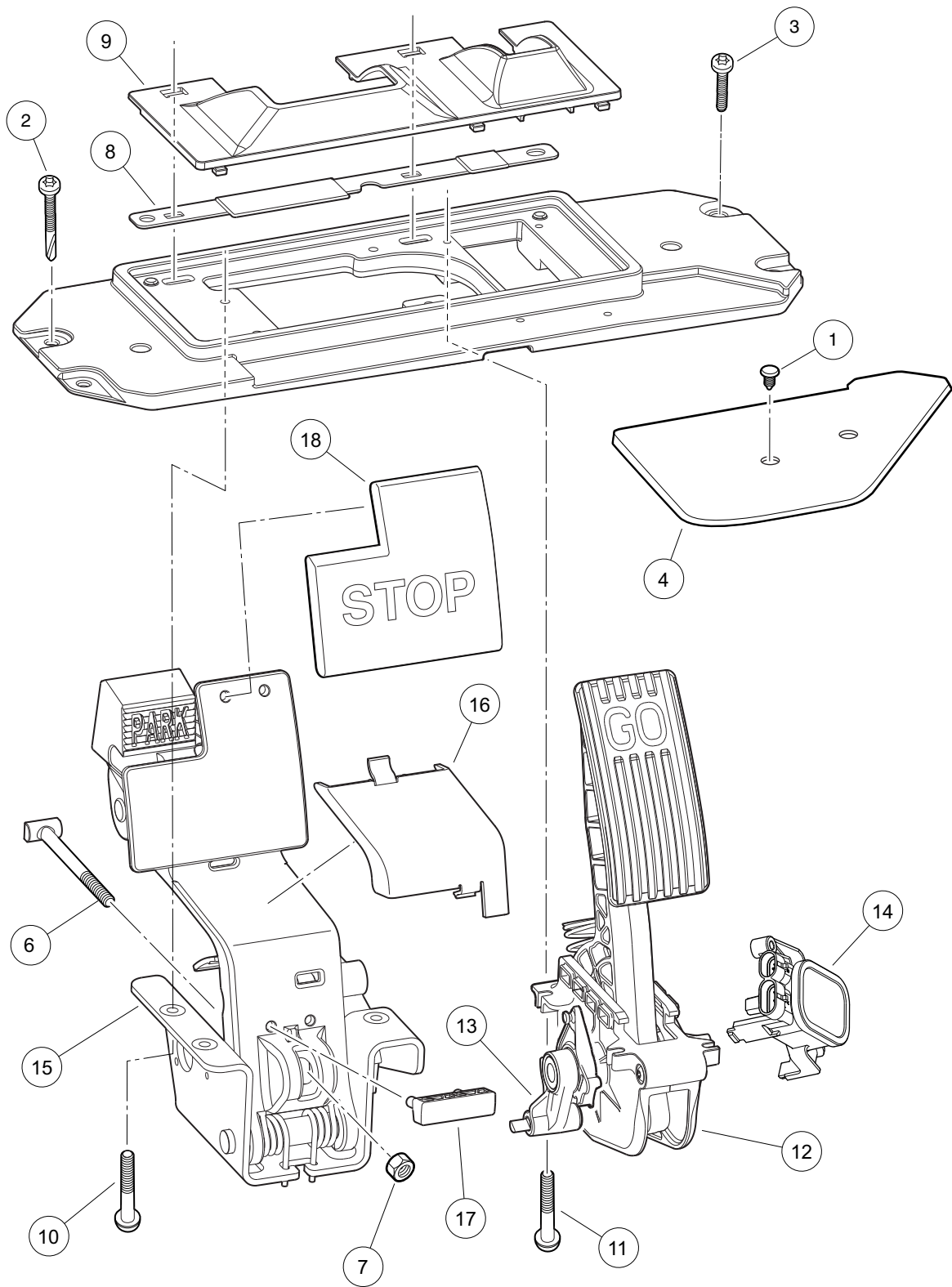


4
G
E



000487-017

PEDAL GROUP, WITH MCOR, GENERATION 2 – ELECTRIC VEHICLE

ITEM	PART NO.	DESCRIPTION	QTY
		1 2 3 4	
1	1010434	Barrel - Plastic	1
2	102292201	Screw-1/4-20x2.20 Tx Pn Hd Sd	2
3	102298030	Screw, K80x30, Torx Pn Hd Pt	2
4	102500801	Plate - Floor Cover	1
5	103975011	Pedal Set, Mech Sp Anod (includes items 6 through 15)	1
6	102559401	Rod, Brake	1
7	102559701	Nut, Brake Rod	1
8	102594801	Shield, Debris Aux	1
9	102594901	Shield, Debris Primary	1
10	102595901	Screw, M6x1.0x17 Ph, Taptite	4
11	102596001	Screw, M5x0.8x18 Ph, Taptite	4
12	102596301	Throttle, G2, No Sensor (includes item 13)	1
13	103777601	Asm, G2, Anod Park Brake Release	1
14	103850401	MCOR3	1
15	103974901	Assy, Brake Anod (includes items 16 through 18)	1
16	102595201	Cover, Brake	1
17	102595301	Upstop, Brake	1
18	102595401	Pad, Brake	1
<p>Note: Vehicles with serial number 1241-321960 and greater were built with 103975011 Pedal Assemblies. These Pedal Assemblies are backward compatible. See the Electrical System - Section 12 for MCOR information.</p>			

4
G
E