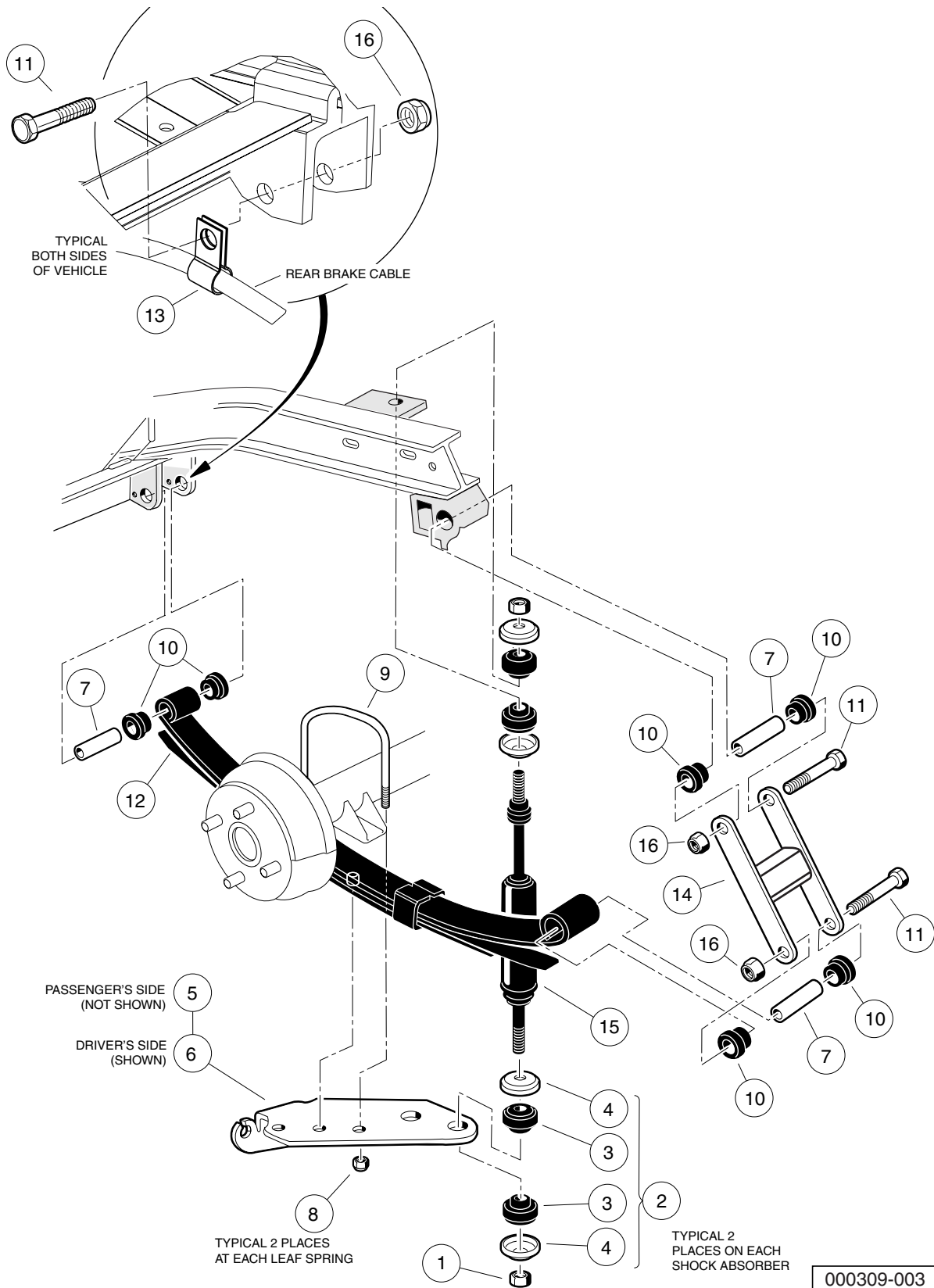


**5**  
**G**  
**E**



## REAR SUSPENSION – IQ PLUS VEHICLES

ITEM	PART NO.	DESCRIPTION	QTY
		1 2 3 4	
1	1010145	Nut, 3/8-24 Hex .....	4
2	1011415	Kit, Shock Absorber Cushion (includes items 3 and 4) .....	4
3	N/A	Cushion, Shock Absorber .....	2
4	N/A	Retainer, Shock Absorber Cushion .....	2
5	1012181	Bracket, Shock Mounting, Right (Passenger) .....	1
6	1012182	Bracket, Shock Mounting, Left (Driver) .....	1
7	1012303	Bushing, Steel .....	6
8	1014555	Locknut, 7/16-14 Nylon Insert .....	4
9	1014902	U-Bolt .....	2
10	1015583	Bushing, Urethane .....	12
11	102066201	Screw, 3/8-16 X 3.50 Hex Cap .....	6
12	102871801	Spring, Multi Leaf .....	2
13	102891101	Clamp, Cable, Brake, Sym .....	2
14	102917101	Weldment, Shackle .....	2
15	103351101	Shock, Absorber, Utility .....	2
16	8754	Locknut, 3/8-16 Hex .....	6
<p>Note: Only the driver-side rear suspension is shown. Parts for the passenger-side rear suspension are identical except for the leaf spring/shock mounting plate.</p>			

5  
G  
E