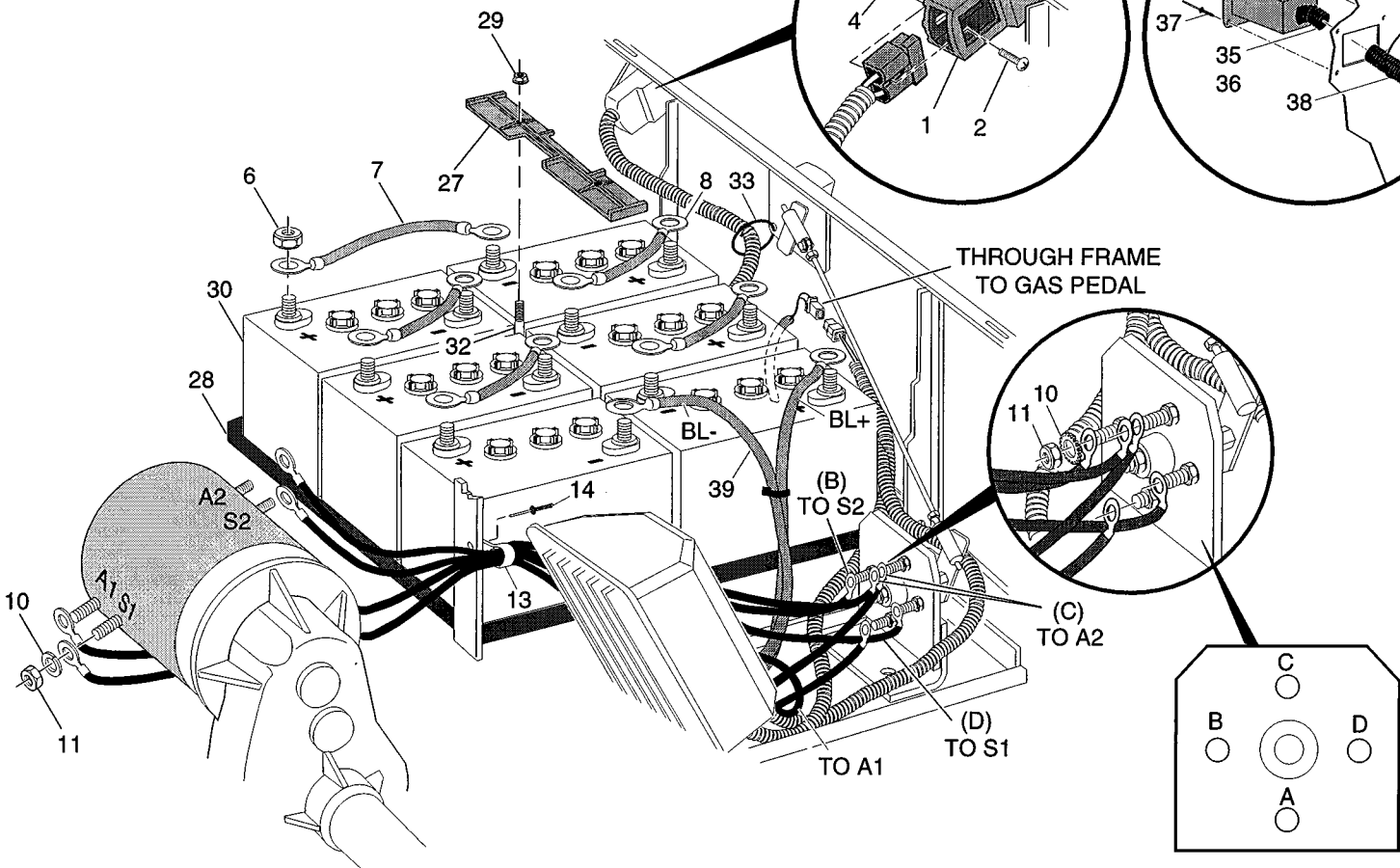
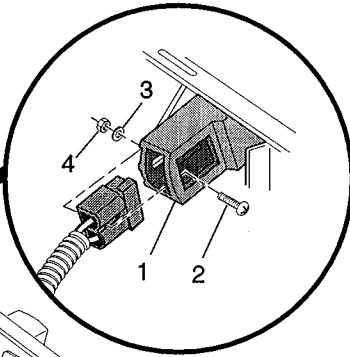
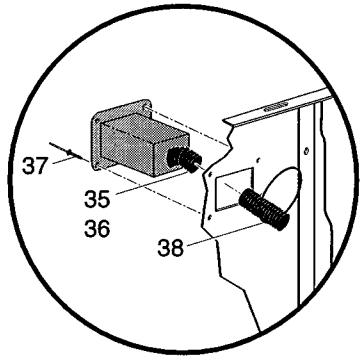
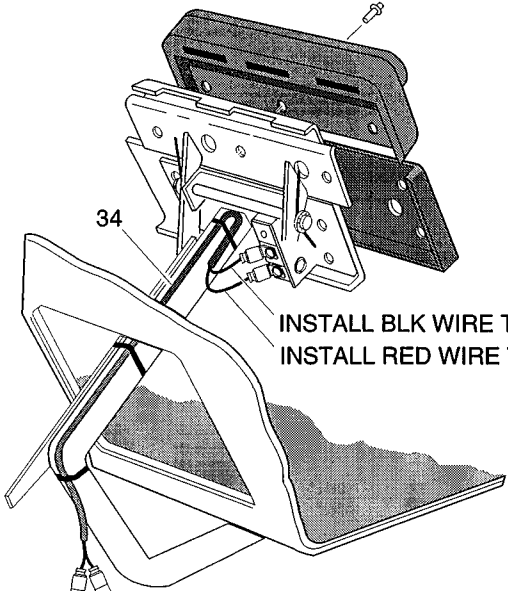


**POWERWISE™ AND
POWERWISE™ +
BATTERY CHARGERS**

**TOTAL CHARGE®
BATTERY CHARGERS**



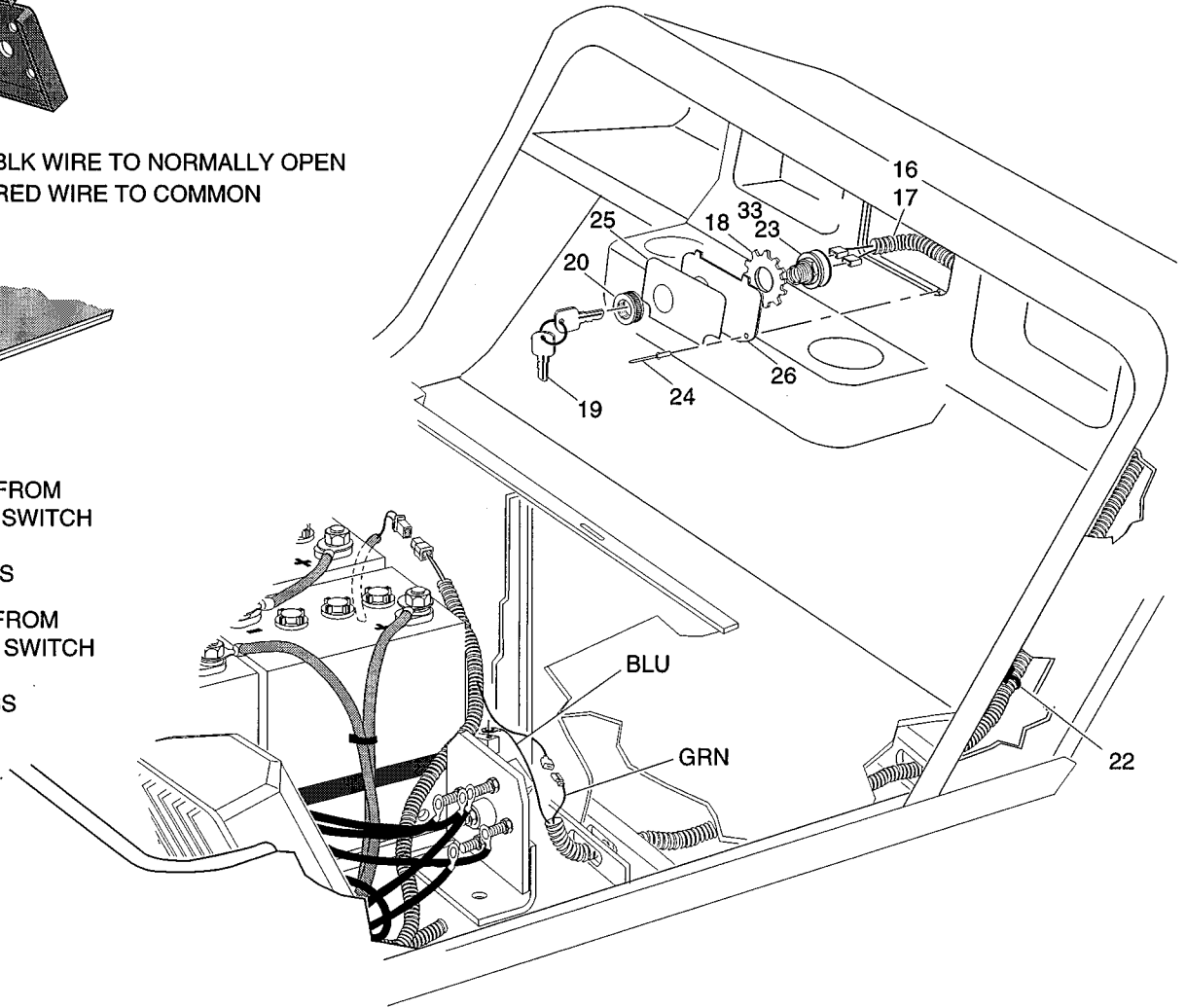
BRAKE LIGHT SWITCH CONNECTIONS



INSTALL BLK WIRE TO NORMALLY OPEN
INSTALL RED WIRE TO COMMON

CONNECT RED WIRE FROM
BRAKE PEDAL MICRO SWITCH
TO RED WIRE FROM
ACCESSORY HARNESS

CONNECT BLK WIRE FROM
BRAKE PEDAL MICRO SWITCH
TO BRN WIRE FROM
ACCESSORY HARNESS



THE USE OF NON UL PARTS WILL VOID ANY UL LISTING.

When ordering parts, please specify the model and serial number of the product.

* Indicates a component that is not available as an individual part.

G** Indicates consult Customer Service Department for additional information.

ITEM	PART NO.	1 2 3 4 5	DESCRIPTION	QTY.
1	18724-G1		RECEPTACLE HOLDER.....	1
2	00645-G2		SCREW, #6 - 32 X 1 1/4 LG.....	2
3	00559-G3		WASHER, #6.....	2
4	14390-G9		NUT, LOCK, #6 - 32	2
5				
6	00702-G2		NUT, 5/16 - 24	12
7	25972-G32		WIRE	1
8	25972-G40		WIRE	4
9				
10	00567-G8		WASHER, LOCK, 5/16.....	8
11	00532-G3		NUT, 5/16 - 18	8
12				
13	27327-G01		CLAMP, TWISTED	2
14	10570-G11		RIVET, STAINLESS STEEL, 5/16	1
15				
16	73145-G01		HARNESS, KEY SWITCH (DCS MODEL ONLY)	1
17	73041-G01		HARNESS, KEY SWITCH (FLEET)	1
18	00568-G6		WASHER, LOCK, 3/4	1
19	17062-G1		KEY, IGNITION (SET)	AR
20	17137-G1		NUT, FACE	1
21				
22	17618-G1		CLAMP, NYLON	1
23	17421-G1		IGNITION SWITCH KIT, INCLUDES ALL MOUNTING HARDWARE (FOR FREEDOM SEE SECTION S - HORN AND LIGHTING)	1
24	33623-G02		RIVET, DRIVE	2
25	71145-G01		DECAL, CONSOLE INSERT PLATE.....	1
26	73030-G01		PLATE, CONSOLE INSERT (KEY ONLY).....	1
27	70045-G01		RETAINER, BATTERY	1
28	70046-G01		BATTERY RACK	1
29	11027-G1		NUT, LOCK, 5/16 - 18	2