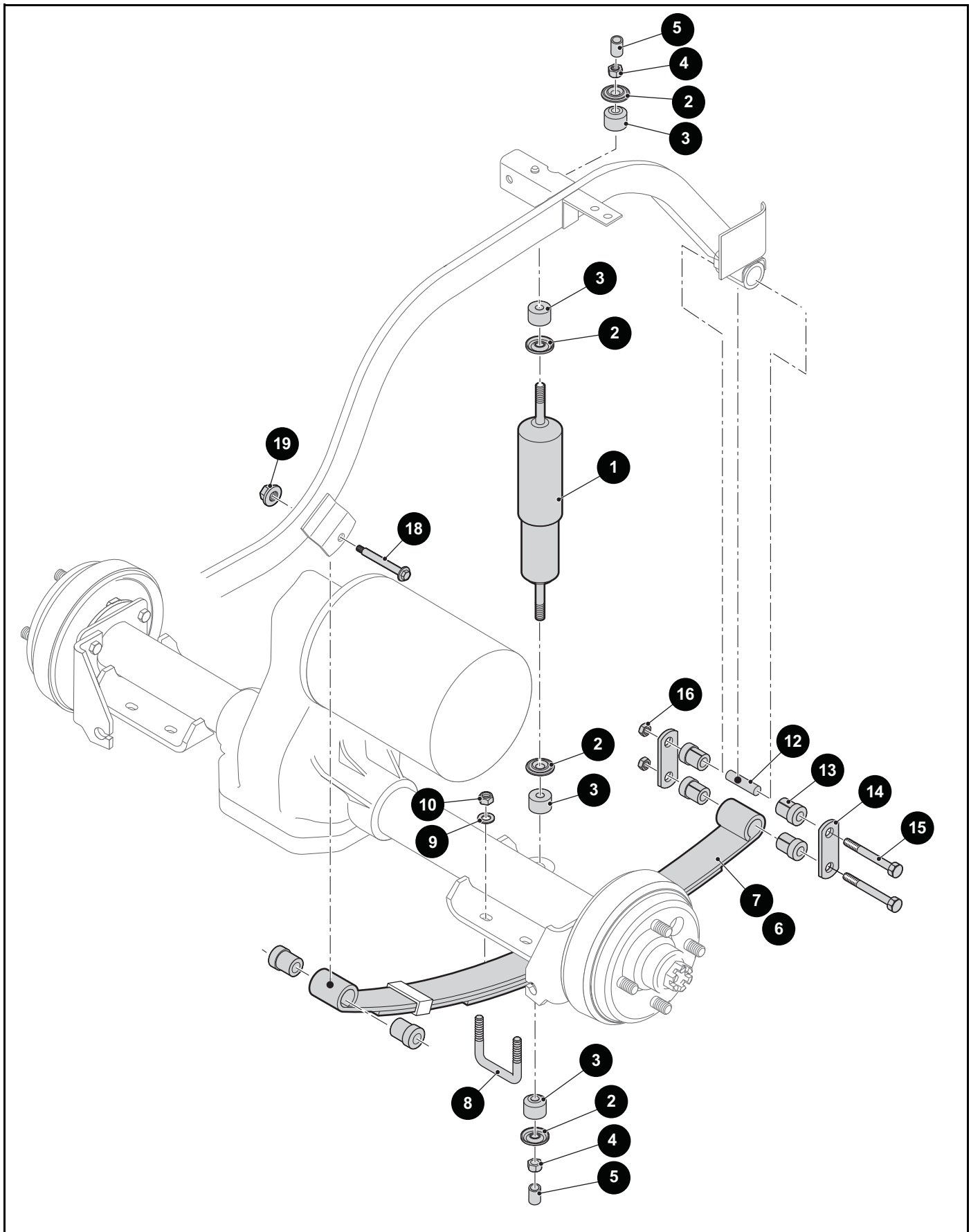


REAR SUSPENSION



REAR SUSPENSION

When ordering parts, please specify the model and serial number of the product.

* Indicates a component that is not available as an individual part.

*** Indicates consult Customer Service Department for additional information.

ITEM	PART NO.	1 2 3 4 5	DESCRIPTION	QTY.
1	76418G01		SHOCK ABSORBER	2
2	10435G1		SHOCK ABSORBER WASHER.....	8
3	10194G1		RUBBER BUSHING, 1"	8
4	00532G6		HEX JAM NUT, 3/8" - 24	4
5	10044G01		VINYL CAP	4
6	603109		REAR LEAF SPRINGS (REPLACE LEFT & RIGHT SPRINGS SIMULTANEOUSLY)	2
7	74207G03		HEAVY DUTY LEAF SPRING.....	2
8	72618G01		'U' BOLT, 3/8" - 16 X 2" X 2 1/2" LG	4
9	00560G1		FLAT WASHER, 3/8"	8
10	11098G5		LOCK NUT, 3/8" - 16	8
11				
12	70289G02		SPLIT STEEL SPACER	4
13	624030		FLANGED BUSHING, 21.5MM	12
14	70290G02		SHACKLE PLATE	4
15	00665G9		HEX HEAD BOLT (SS), 3/8" - 16 X 3 1/2" LG	4
16	11098G5		LOCK NUT, 3/8" - 16	4
17				
18	14158G1		SHOULDER BOLT, 3/8" - 16 X 3 1/4" LG	2
19	12262G1		LOCK NUT, 3/8" - 16	2