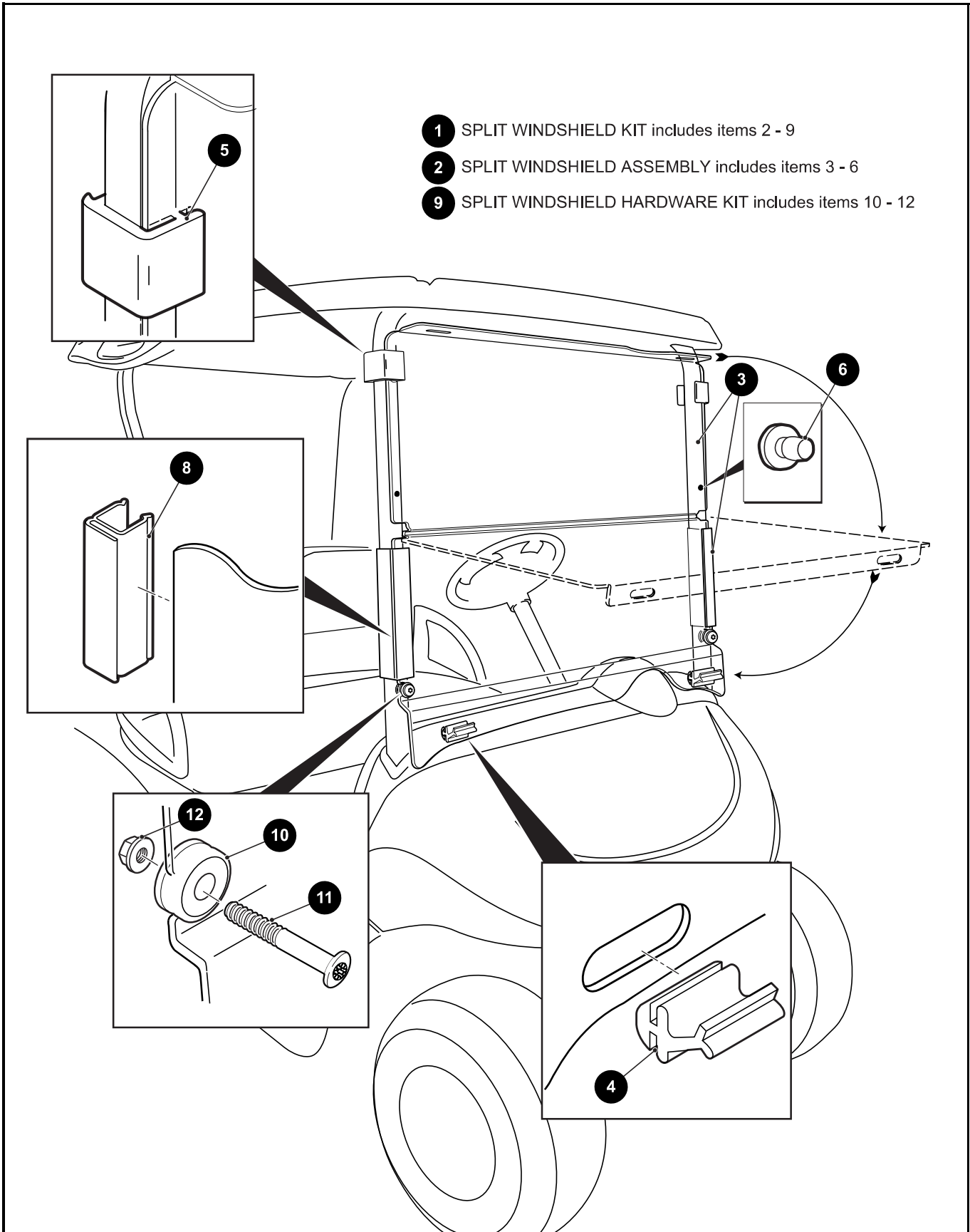


# WEATHER PROTECTION



## WEATHER PROTECTION

THE USE OF NON U.L. PARTS WILL VOID ANY U.L. LISTING.  
 When ordering parts, please specify the model and serial number of the product.  
 \* Indicates a component that is not available as an individual part.  
 \*\*\* Indicates consult Customer Service Department for additional information.

ITEM	PART NO.	1	2	3	4	5	DESCRIPTION	QTY.
1	606584						SPLIT WINDSHIELD KIT (INCLUDES ITEMS 2 - 9) .....	1
2	606623						SPLIT WINDSHIELD ASSEMBLY (INCLUDES ITEMS 3 - 6) .....	1
3	603738						SPLIT WINDSHIELD.....	1
4	603201						LOWER WINDSHIELD LATCH.....	2
5	603198						UPPER WINDSHIELD LATCH.....	2
6	604115						WINDSHIELD ISOLATOR.....	2
7								
8	613136						WINDSHIELD ATTACHMENT SASH .....	2
9	607014						SPLIT WINDSHIELD HARDWARE KIT (INCLUDES ITEMS 10 - 12).....	1
10	604116						GROMMET .....	2
11	602527						BUTTON HEAD TORX BOLT, M10 - 1.5 X 60MM LG .....	2
12	600525						LOCK NUT, M10 - 1.5 .....	2