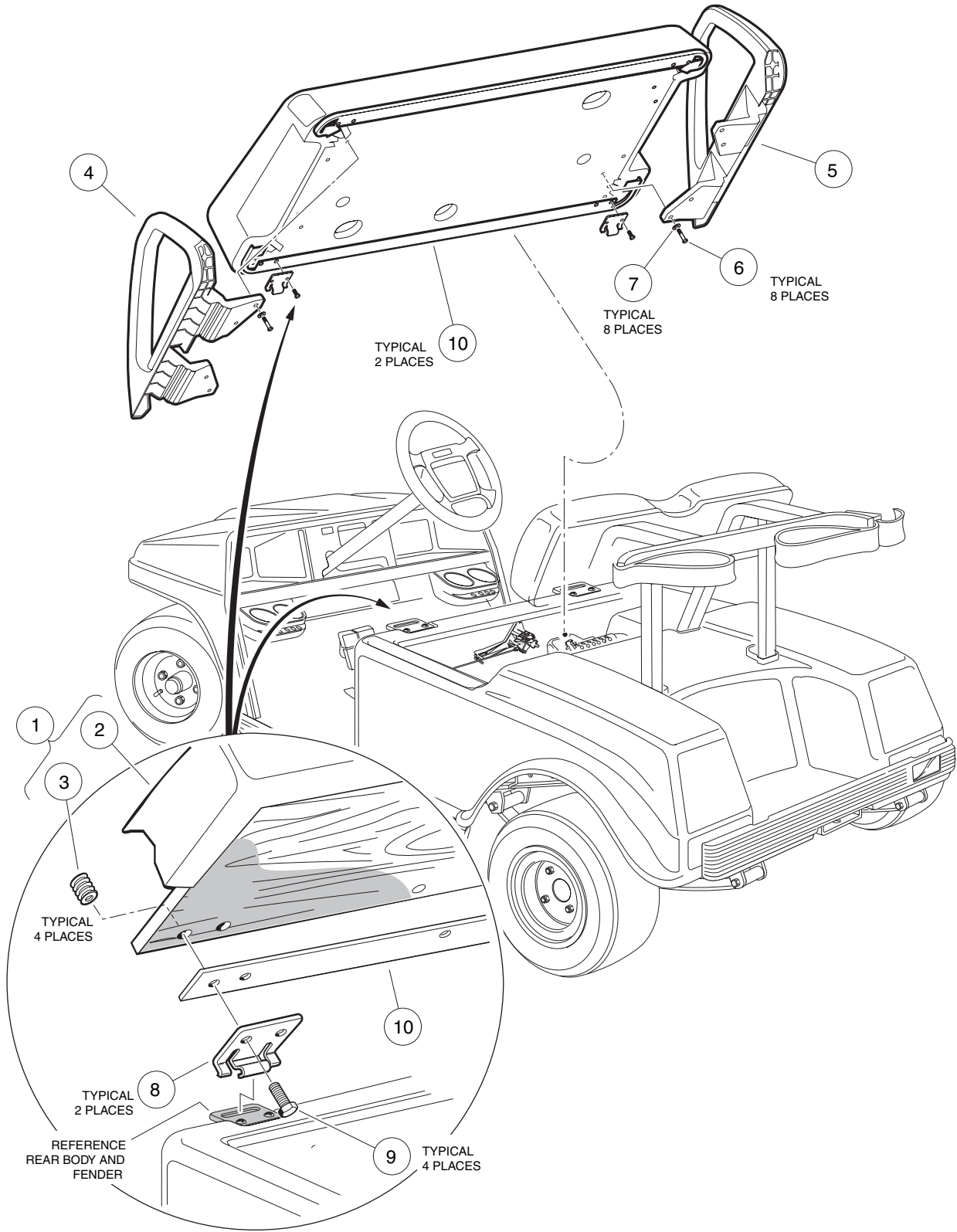


1
G
E



SEAT BOTTOM AND ARMREST

ITEM	PART NO.	DESCRIPTION	QTY GAS	QTY ELEC
		1 2 3 4		
1	102174201	Assembly, Seat Bottom – Buff (includes items 2 and 3)	1	1
2	101998201	Cover, Vinyl Seat Bottom – Buff	1	1
3	1010543	Insert, Wood	12	12
1	102174202	Assembly, Seat Bottom – White (includes items 2 and 3)	1	1
2	101998202	Cover, Vinyl Seat Bottom – White	1	1
3	1010543	Insert, Wood	12	12
1	102174204	Assembly, Seat Bottom – Black (includes items 2 and 3)	1	1
2	101998204	Cover, Vinyl Seat Bottom – Black	1	1
3	1010543	Insert, Wood	12	12
1	102174205	Assembly, Seat Bottom – Gray (includes items 2 and 3)	1	1
2	101998205	Cover, Vinyl Seat Bottom – Gray	1	1
3	1010543	Insert, Wood	12	12
4	101987601	Armrest, Driver-Side	1	1
5	101985501	Armrest, Passenger-Side	1	1
6	1016916	Screw, Hex-Head Cap, 1/4-20 x 1-1/2	8	8
7	332	Washer, Flat, Type A	8	8
8	1011652	Plate, Seat Hinge, Stainless Steel	2	2
9	101954301	Screw, Hex-Head Cap, 1/4-20 x 3/4 (with patch)	4	4
10	101998501	Gasket, Seat	2	2

1
G
E