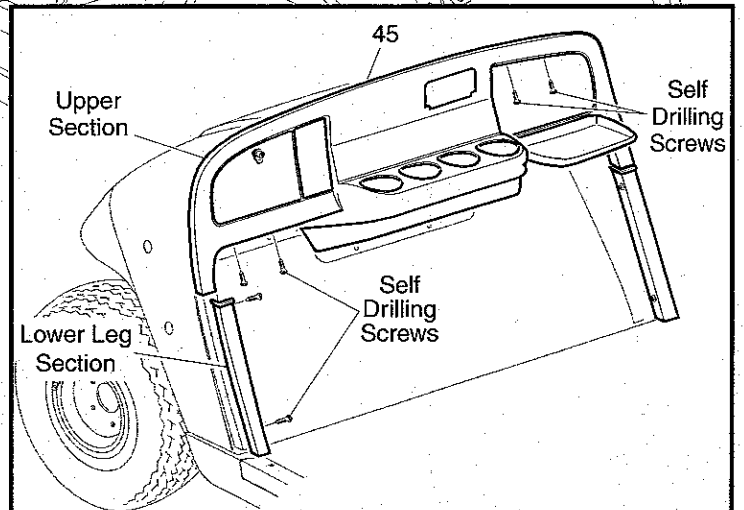
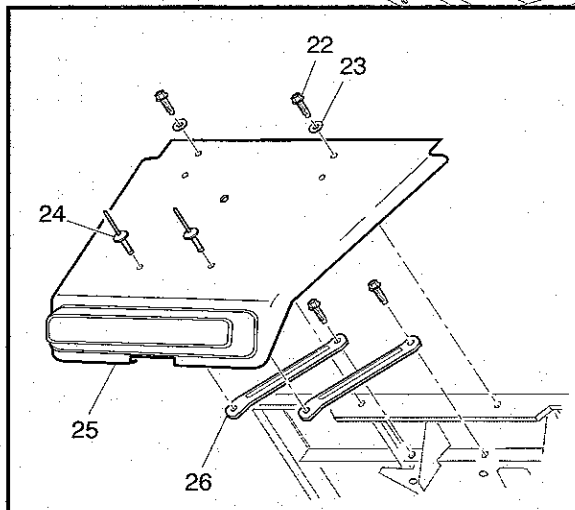
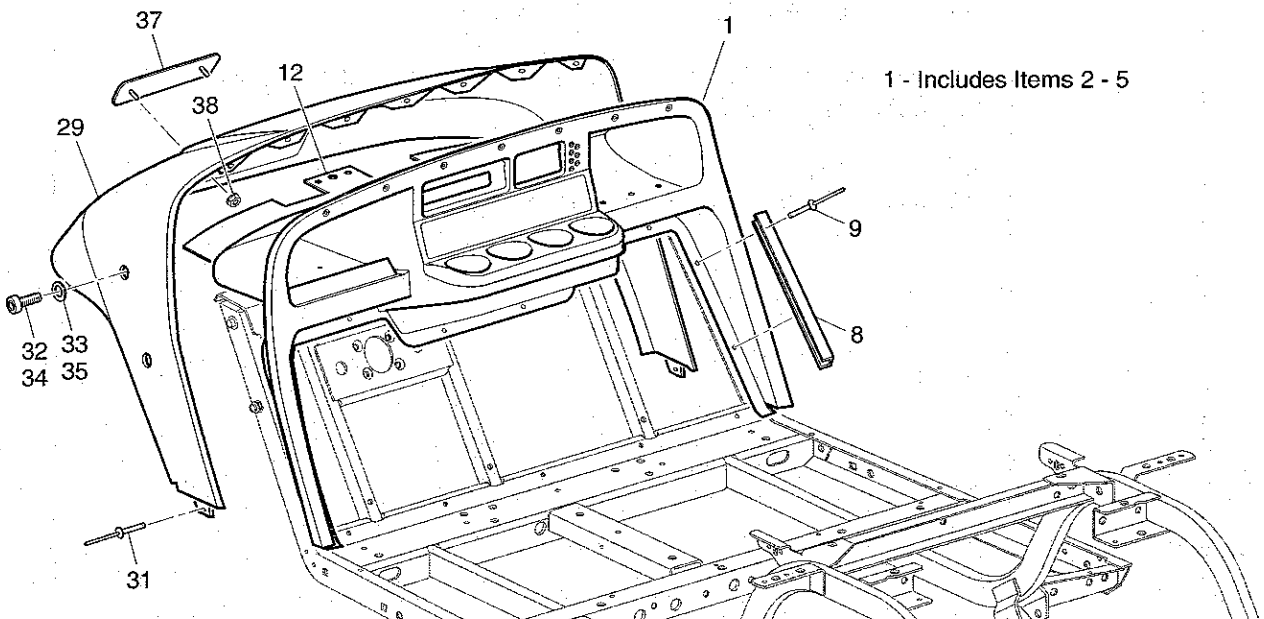
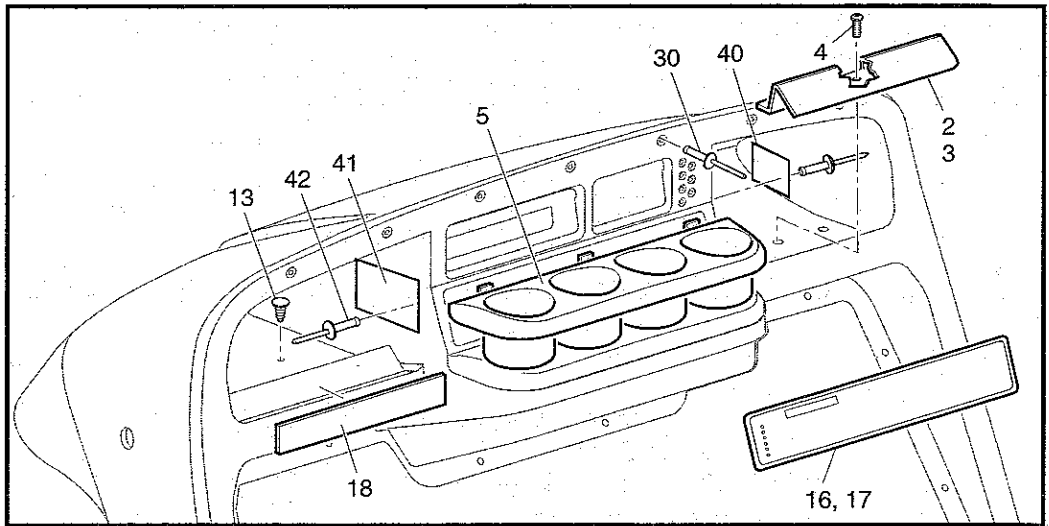


BODY - FRONT



Ref Bod 1-1

BODY - FRONT

Where applicable, THE USE OF NON UL PARTS WILL VOID ANY UL LISTING.

When ordering parts, please specify the model and serial number of the product.

* Indicates a component that is not available as an individual part.

G** Indicates consult Customer Service Department for additional information.

ITEM	PART NO.	1	2	3	4	5	DESCRIPTION	QTY.
1	71151-G01						INSTRUMENT PANEL ASSEMBLY (INCLUDES ITEMS 2 - 5).....	1
2	71153-G01						BALL DEFLECTOR (PASSENGER SIDE).....	1
3	71154-G01						BALL DEFLECTOR (DRIVER SIDE).....	1
4	00614-G5						SCREW, #8 - 18 X 5/8" LG.....	6
5	71158-G01						INSTRUMENT PANEL INSERT (4 CUP HOLDER).....	1
6								
7								
8	71115-G01						VINYL TRIM.....	2
9	71055-G01						RIVET, 3/16" X 1" LG (ALUMINUM).....	10
10								
11								
12	71413-G01						SPLASH PANEL.....	1
13	16816-G2						RIVET, 1/4" X 3/4" LG.....	5
14								
15								
16	27647-G01						LABEL (SAFETY).....	1
17	35345-G01						LABEL (SAFETY - EC).....	1
18	74443-G01						LABEL (ANTI-ROLLBACK).....	1
19								
20								
21								
22	01038-G01						BOLT, 1/4 - 20 X 11/16" LG.....	4
23	16469-G1						WASHER, 1/4".....	2
24	01057-G01						RIVET, 1/4" X 1" LG.....	2
25	27166-G04						FRONT SHIELD.....	1
26	70725-G01						FRONT SHIELD BRACE.....	2
27								
28								
29	71051-G**						COWL.....	1
30	71055-G01						RIVET, 3/16" X 1" LG (ALUMINUM).....	9