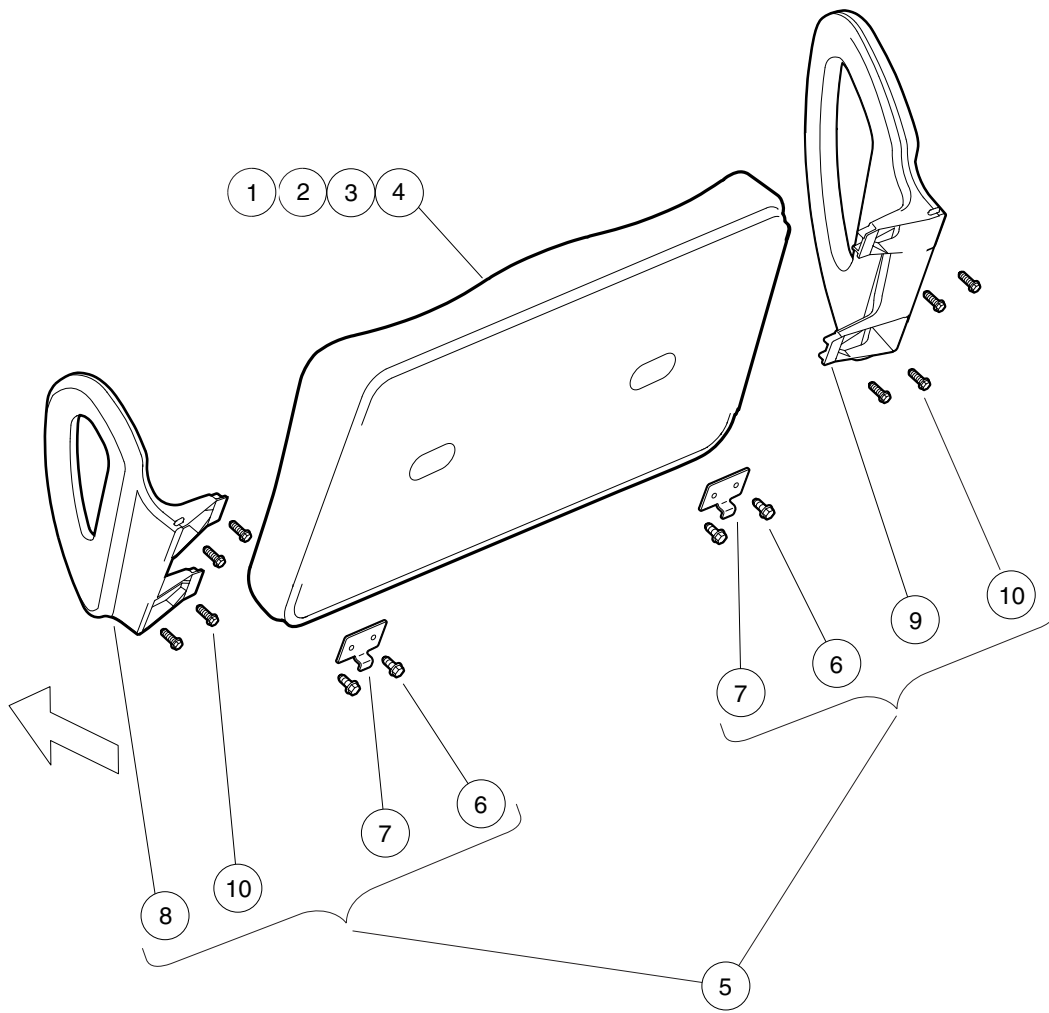


1
G
E



000440-005

SEAT BOTTOM WITH HIP RESTRAINTS

ITEM	PART NO.	DESCRIPTION	QTY
		1 2 3 4	
1	103833421	Asm, Service, Beige, Seat Btm	1
2	103833422	Asm, Service, White, Seat Btm	1
3	103833424	Asm, Service, Gray, Seat Btm	1
4	103833425	Asm, Service, Black, Seat Btm	1
5	103833901	Kit, Prec, Seat Botm (includes items 6 through 10)	1
6	101954301	Screw, 1/4-20 X 0.75 Hex-Head Cap	4
7	103832901	Hinge, Seat Bottom	2
8	103833601	Hip Restraint, Drv	1
9	103833701	Hip Restraint, Pas	1
10	103833801	1/4-20 X 1.5 Hex Flg Patch	8

1
G
E