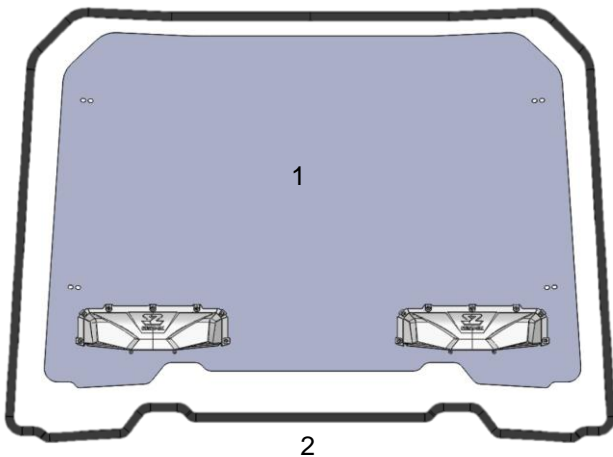


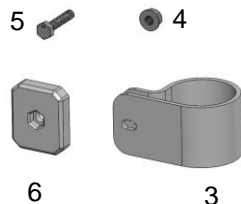
Installation & Operations Manual Polaris RZR Vented Windshield



Kit Contents:



1. Windshield with Vents
2. 125" 90 degree bulb Gasket
3. 1.75 large hole plastic Clamp (4)
4. ¼ 20 Flange Nut (4)
5. Bolt (4)
6. Backing Plate (4)



Installation Information:

This product does not require any modifications to your vehicle. Please familiarize yourself with all the steps before beginning assembly.

Compatibility Info:

This windshield is designed to work with other Seizmik branded Accessories for the Polaris RZR as well as OEM Polaris hard tops. Please note Seizmik cannot guarantee fitment with other branded aftermarket products. Please research installation details on our products and others when trying to combine different branded accessories.

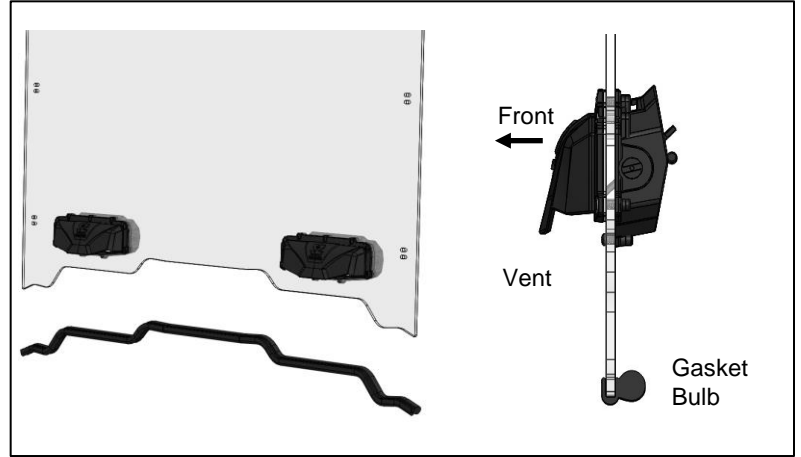
Seizmik makes Windshields, Mirrors, Door Kits, Light Bars, Hood Racks, and other great accessories for UTV's to maximize the vehicles usefulness. To help you do what you do better.

If you have any questions, comments, need assistance, or are missing parts, please call 1-866-838-3366 between 9:00AM and 5:00PM EST. Or email us at service@seizmik.com. Visit www.seizmik.com for more information on our products.

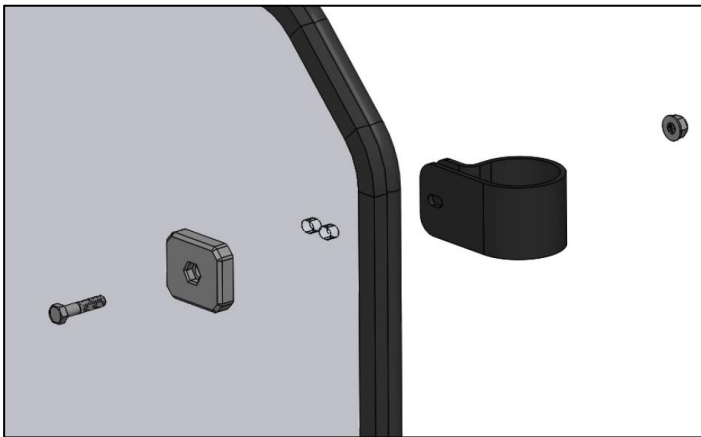
Installation:



1. Peel plastic 4" back on bottom of windshield. Remove completely after windshield is fully installed.

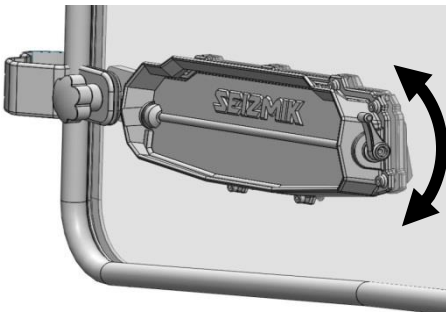


2. Push the gasket on the windshield starting at the center bottom with the bulb section oriented as shown. (Picture may not show exact windshield).

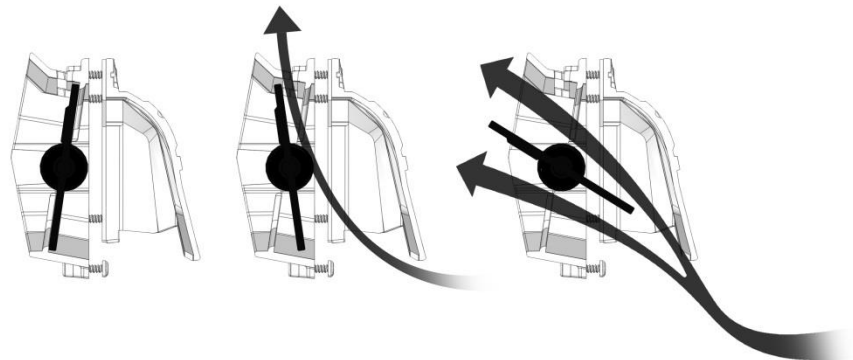


3. Snap 2 clamps on each side of the roll cage with the flanges facing forwards. Insert bolt through backing plates and windshield and loosely install nuts on all 4 clamps. Adjust windshield as needed and tighten nuts.

VENT OPERATION:



Turn handle to adjust vent. If the vent seems too tight or too loose, it can be adjusted by turning the T10 Torx screw in the handle.



The vent has 3 positions: Closed, Defog, and open.