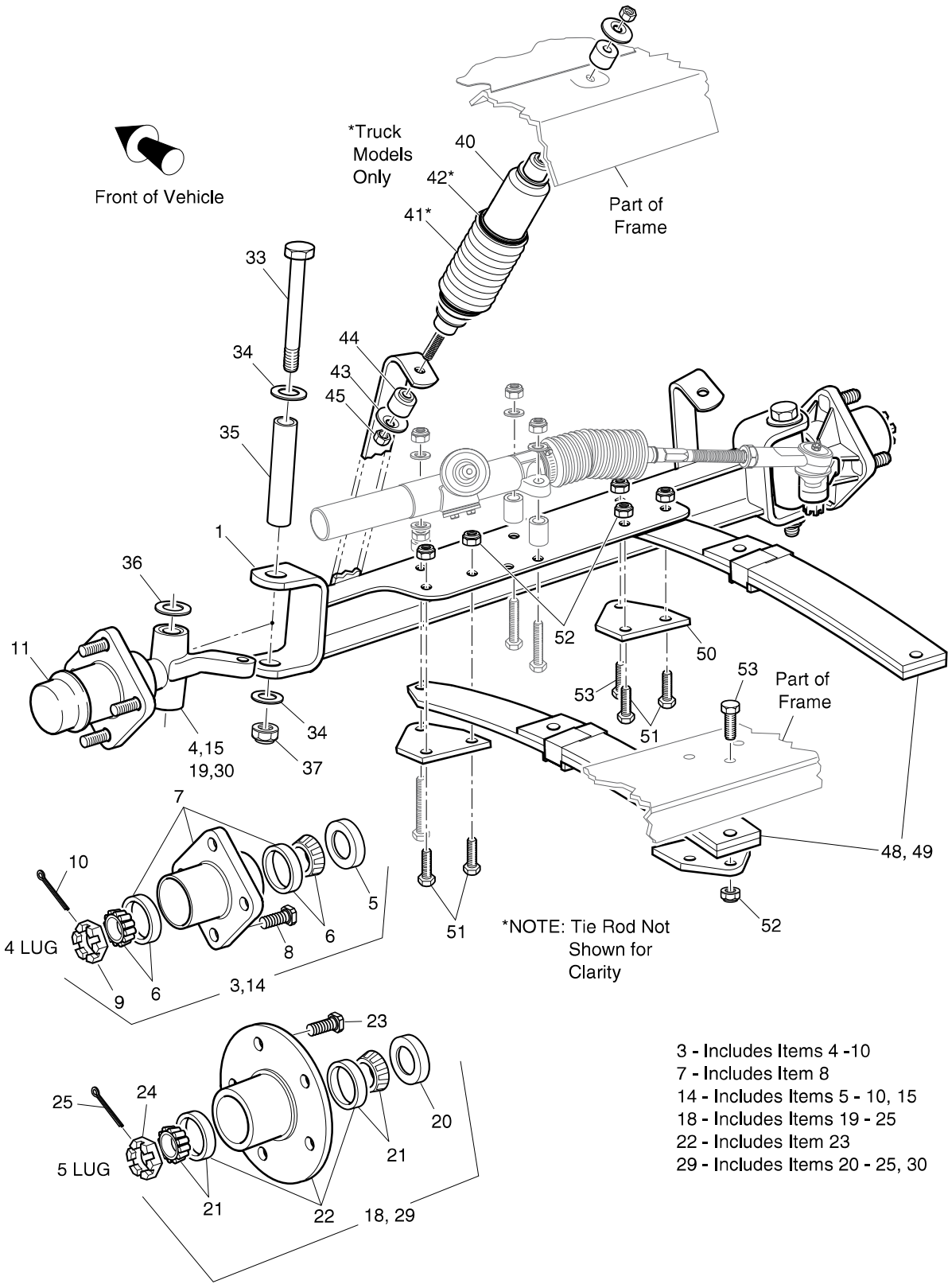
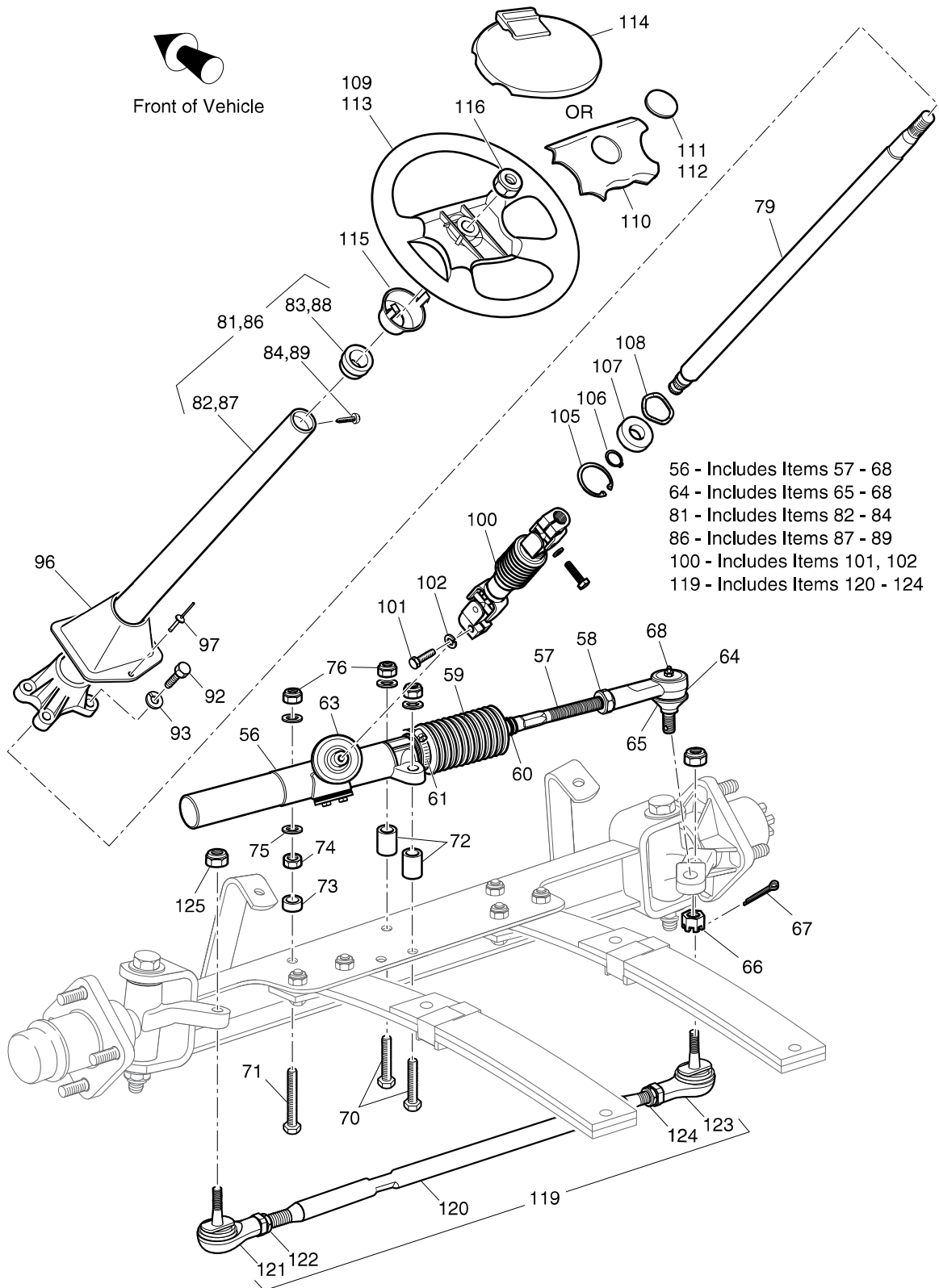


# FRONT SUSPENSION/STEERING



Ref Fss 1-1

# FRONT SUSPENSION/STEERING



Ref Fss 1-2

## FRONT SUSPENSION/STEERING

Where applicable, THE USE OF NON UL PARTS WILL VOID ANY UL LISTING.

When ordering parts, please specify the model and serial number of the product.

\* Indicates a component that is not available as an individual part.

G\*\* Indicates consult Customer Service Department for additional information.

ITEM	PART NO.	1 2 3 4 5	DESCRIPTION	QTY.
1	70963-G01		FRONT AXLE .....	1
2				
3	70942-G01		SPINDLE AND HUB ASSEMBLY, 4 LUG (PASSENGER SIDE) (INCLUDES ITEMS 4 - 10).....	1
4	70942-G02		SPINDLE ASSEMBLY (PASSENGER SIDE).....	1
5	25146-G1		GREASE SEAL.....	1
6	50892-G1		ROLLER BEARING AND RACE ASSEMBLY.....	2
7	70895-G01		WHEEL HUB ASSEMBLY WITH RACES, 4 LUG (INCLUDES ITEM 8) .....	1
8	19862-G1		LUG BOLT, 1/2 - 20 X 1 3/16" LG.....	4
9	12093-G1		CASTELLATED NUT, 1 - 14 .....	1
10	00798-G8		COTTER PIN, 5/32" X 1 3/4" LG .....	1
11	12091-G2		SPINDLE CAP.....	2
12				
13				
14	70673-G01		SPINDLE AND HUB ASSEMBLY, 4 LUG (DRIVER SIDE) (INCLUDES ITEMS 5 - 10, 15).....	1
15	70673-G02		SPINDLE ASSEMBLY (DRIVER SIDE) .....	1
16				
17				
18	70943-G01		SPINDLE AND HUB ASSEMBLY, 5 LUG (PASSENGER SIDE) (INCLUDES ITEMS 19 - 25).....	1
19	70942-G02		SPINDLE ASSEMBLY (PASSENGER SIDE).....	1
20	12092-G1		GREASE SEAL.....	1
21	50892-G1		ROLLER BEARING AND RACE ASSEMBLY.....	2
22	70772-G01		WHEEL HUB ASSEMBLY WITH RACES, 5 LUG (INCLUDES ITEM 23) ....	1
23	30143-G1		LUG BOLT, 1/2 - 20 X 1 7/32" LG.....	5
24	12093-G1		CASTELLATED NUT, 1 - 14 .....	1
25	00798-G8		COTTER PIN, 5/32" X 1 3/4" LG .....	1
26				
27				
28				

## FRONT SUSPENSION/STEERING

Where applicable, THE USE OF NON UL PARTS WILL VOID ANY UL LISTING.

When ordering parts, please specify the model and serial number of the product.

\* Indicates a component that is not available as an individual part.

G\*\* Indicates consult Customer Service Department for additional information.

ITEM	PART NO.	1 2 3 4 5	DESCRIPTION	QTY.
29	70797-G01		SPINDLE AND HUB ASSEMBLY, 5 LUG (DRIVER SIDE) (INCLUDES ITEMS 20 - 25, 30).....	1
30	70673-G02		SPINDLE ASSEMBLY (DRIVER SIDE) .....	1
31				
32				
33	00407-G6		BOLT, 1/2 - 13 X 6" LG .....	2
34	00560-G3		WASHER, 1/2" .....	4
35	70745-G01		KING PIN TUBE .....	2
36	70754-G01		THRUST WASHER, 1" (STAINLESS STEEL).....	2
37	14390-G6		LOCK NUT, 1/2 - 13 .....	2
38				
39				
40	70928-G01		SHOCK ABSORBER.....	2
41	70509-G01		SHOCK ABSORBER BOOT .....	2
42	31539-G1		WIRE TIE .....	4
43	10435-G1		SHOCK ABSORBER WASHER .....	8
44	10194-G1		RUBBER BUSHING .....	8
45	00532-G6		NUT, 3/8 - 24 .....	4
46				
47				
48	70990-G02		LEAF SPRING (SEE PART NUMBER ON SPRING) .....	2
49	70989-G02		LEAF SPRING (HEAVY DUTY) (SEE PART NUMBER ON SPRING) .....	2
50	70163-G02		SPRING PLATE .....	4
51	00463-G4		BOLT, 7/16 - 14 X 1 1/2" LG .....	4
52	00734-G1		LOCK NUT, 7/16 - 14 .....	11
53	00463-G6		BOLT, 7/16 - 14 X 1 3/4" LG .....	7
54				
55				
56	70964-G01		RACK AND PINION UNIT (COMPLETE) (INCLUDES ITEMS 57 - 68) .....	1
57	70694-G01		RACK EXTENSION .....	1

## FRONT SUSPENSION/STEERING

Where applicable, THE USE OF NON UL PARTS WILL VOID ANY UL LISTING.

When ordering parts, please specify the model and serial number of the product.

\* Indicates a component that is not available as an individual part.

G\*\* Indicates consult Customer Service Department for additional information.

ITEM	PART NO.	1 2 3 4 5	DESCRIPTION	QTY.
58	*		JAM NUT, 1/2 - 20.....	1
59	70961-G01		RACK BOOT.....	1
60	12416-G2		WIRE TIE.....	1
61	11391-G8		CLAMP, 1 13/16 - 2 3/8".....	1
62				
63	70638-G01		PINION SEAL.....	1
64	70695-G01		RACK BALL JOINT (INCLUDES ITEMS 65 - 68).....	1
65	50641-G1		RUBBER BOOT.....	1
66	50209-G2		CASTELLATED NUT, 7/16 - 20.....	1
67	10387-G2		COTTER PIN, 3/32" X 1" LG.....	1
68	10389-G3		GREASE FITTING, STRAIGHT.....	1
69				
70	00464-G6		BOLT, 7/16 - 14 X 2 3/4" LG.....	2
71	01068-G01		BOLT, 7/16 - 14 X 3 1/2" LG.....	1
72	70667-G02		SPACER.....	2
73	70667-G03		SPACER (SHORT).....	1
74	00532-G7		NUT, 7/16 - 14.....	1
75	00560-G2		FLAT WASHER, 7/16".....	4
76	00734-G1		LOCK NUT, 7/16 - 14.....	3
77				
78				
79	70607-G01		STEERING SHAFT.....	1
80				
81	70758-G03		STEERING COLUMN KIT (INCLUDES ITEMS 82 - 84).....	1
82	70610-G01		STEERING COLUMN.....	1
83	28569-G01		STEERING COLUMN BUSHING.....	1
84	01022-G01		SCREW, #6 - 20 X 5/16" LG.....	1
85				
86	70758-G04		STEERING COLUMN KIT (HORN) (INCLUDES ITEMS 87 - 89).....	1
87	70610-G02		STEERING COLUMN.....	1

## FRONT SUSPENSION/STEERING

Where applicable, THE USE OF NON UL PARTS WILL VOID ANY UL LISTING.

When ordering parts, please specify the model and serial number of the product.

\* Indicates a component that is not available as an individual part.

G\*\* Indicates consult Customer Service Department for additional information.

ITEM	PART NO.	1	2	3	4	5	DESCRIPTION	QTY.
88	28569-G01						STEERING COLUMN BUSHING.....	1
89	01022-G01						SCREW, #6 - 20 X 5/16" LG .....	1
90								
91								
92	01006-G01						BOLT, 3/8 - 16 X 1 1/4" LG .....	4
93	00879-G1						LOCK WASHER, 3/8".....	4
94								
95								
96	70997-G01						COVER.....	1
97	71055-G01						RIVET, 3/16" X 1" LG (ALUMINUM).....	1
98								
99								
100	70580-G01						INTERMEDIATE SHAFT (INCLUDES ITEMS 101, 102).....	1
101	01055-G01						BOLT, M8 X 1.25 - 05.....	2
102	00565-G8						LOCK WASHER, 5/16" .....	2
103								
104								
105	70751-G01						RETAINING RING (INTERNAL).....	1
106	70888-G01						RETAINING RING (EXTERNAL).....	1
107	15112-G1						BALL BEARING .....	1
108	70887-G01						WAVE WASHER.....	1
109	71146-G01						STEERING WHEEL .....	1
110	71147-G01						STEERING WHEEL COVER .....	1
111	71047-G01						LABEL (E-Z-GO) .....	1
112	74405-G01						LABEL (CUSHMAN).....	1
113	71948-G01						STEERING WHEEL .....	1
114	71950-G01						CLIPBOARD.....	1
115	71949-G01						HUB COVER .....	1
116	14390-G2						LOCK NUT, 5/8 - 18 .....	1
117								

## FRONT SUSPENSION/STEERING

Where applicable, THE USE OF NON UL PARTS WILL VOID ANY UL LISTING.  
 When ordering parts, please specify the model and serial number of the product.  
 \* Indicates a component that is not available as an individual part.  
 G\*\* Indicates consult Customer Service Department for additional information.

ITEM	PART NO.	1	2	3	4	5	DESCRIPTION	QTY.
118								
119	70876-G02						TIE ROD ASSEMBLY (INCLUDES ITEMS 120 - 124) .....	1
120	70897-G02						THREADED ROD (24" LG).....	1
121	70902-G01						TIE ROD END (LEFT HAND THREADS) .....	1
122	01069-G01						JAM NUT, M12 X 1.25 - 05 (LEFT HAND THREADS).....	1
123	70902-G02						TIE ROD END (RIGHT HAND THREADS).....	1
124	01069-G02						JAM NUT, M12 X 1.25 - 05 (RIGHT HAND THREADS) .....	1
125	00734-G1						LOCK NUT, 7/16 - 14 .....	2

## FRONT SUSPENSION/STEERING

Notes: