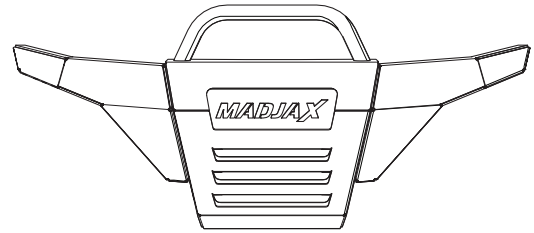




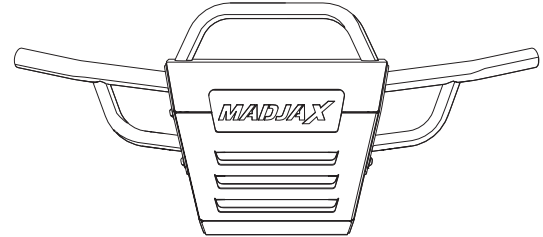
Part # 14-033-W
14-033-T

TXT Brush Guard

(will fit E-Z-GO T-48 2014 - Up)



A. Brush Guard with Wings (14-033-W)



B. Brush Guard with Tubes (14-033-T)

ITEMS INCLUDED

- Passenger Side Mounting Arm
- Driver Side Mounting Arm
- Brushguard Center Section
- Passenger Side Wing or Tube
- Driver Side Wing or Tube
- Mounting Arm Hardware Pack
- Wing Hardware Pack

TOOLS NEEDED

- T30 Torx Driver
- 16mm Wrench
- 16mm Socket
- 5mm Allen Wrench
- 13mm Wrench

STEP 1



T30 Torx Driver

Remove three (3) screws that secure the plastic front bumper and remove the front bumper from the vehicle as shown in Figs. 1 & 2.

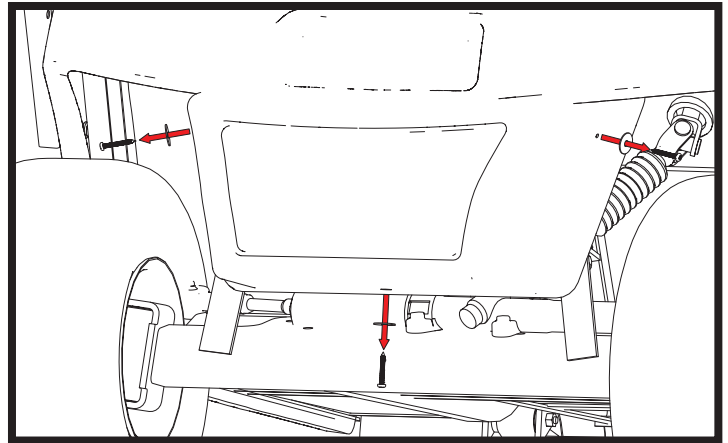


Fig. 1

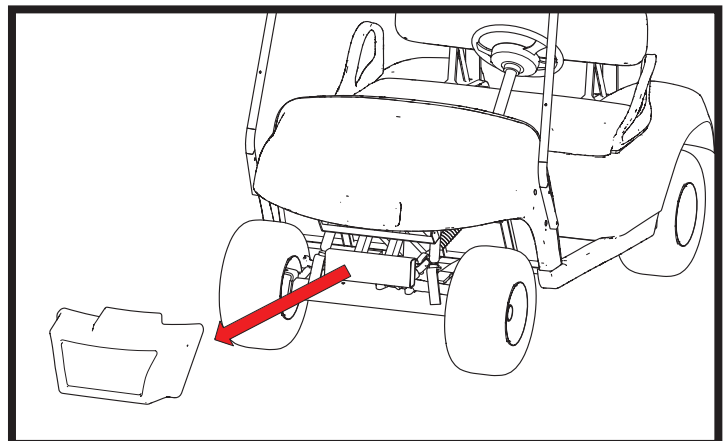


Fig. 2

STEP 2

16mm WRENCH
16mm SOCKET

Roll floor mat back from under vehicle dash to access the three (3) bolts in the floor that hold the front bumper frame to the vehicle frame. Remove these three (3) bolts and three (3) nuts and discard as shown in Figs. 3 & 4. Replace the floor mat, being sure to tuck it under the trim on each side

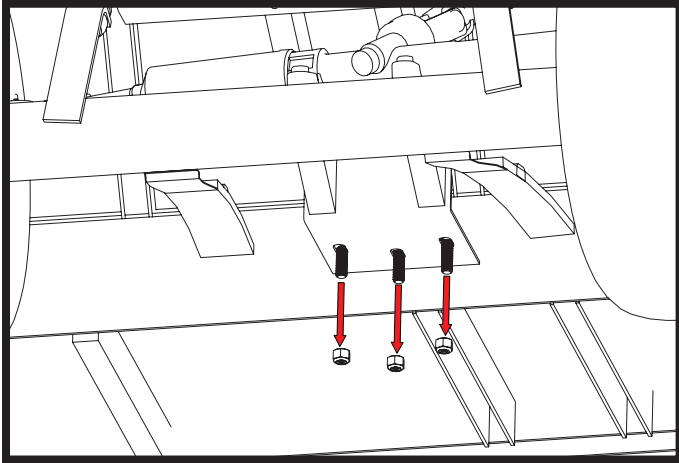


Fig. 3

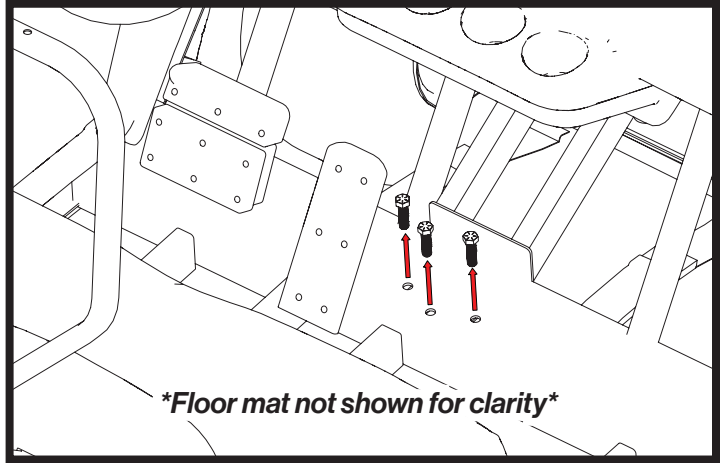


Fig. 4

STEP 3

16mm WRENCH
16mm SOCKET

Remove the two (2) bolts that hold the top of the front bumper bracket to the vehicle dash frame as shown in Fig. 5. These are located up underneath the cowl.

Remove the front bumper frame from the vehicle. See Fig. 6.

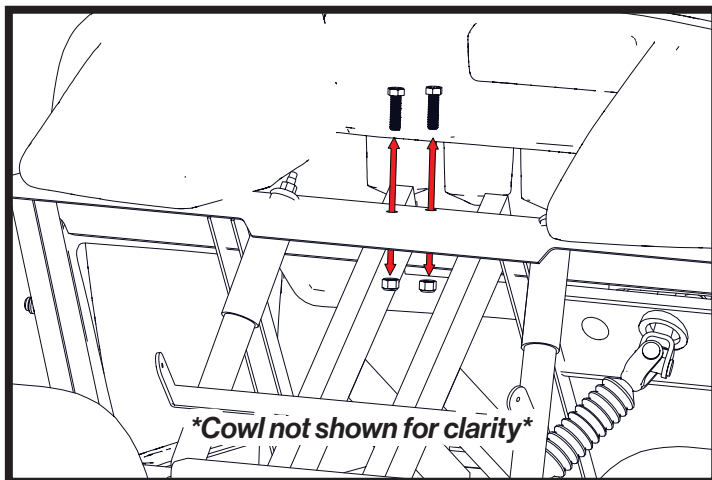


Fig. 5

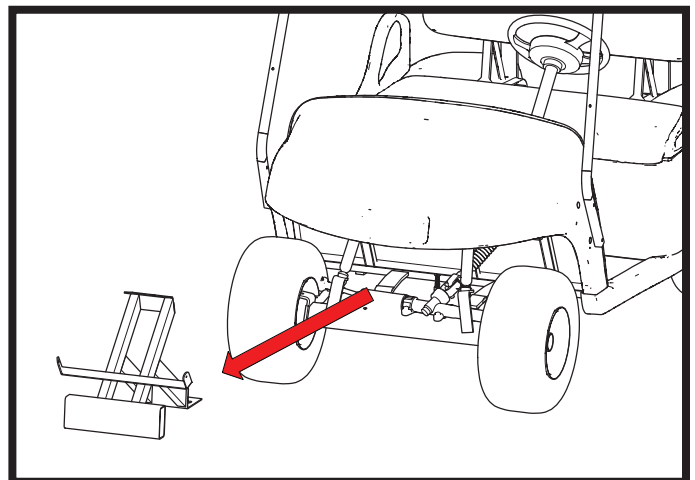


Fig. 6

STEP 4

Using two (2) square u-bolts and four (4) m10 flange nuts, install passenger side mounting arm (has a “P” cut into the bracket) oriented as shown to the frame member shown in Fig. 7. The u-bolts will slide between the frame member and the floor mat to go into place. Only finger tighten these bolts as the position of the mounting arm will need to be adjusted once the brushguard is fully assembled.

Repeat with driver side mounting arm (has a “d” cut into the bracket) oriented as shown. This bracket should be slid up close to the plate that the steering column mounts to.

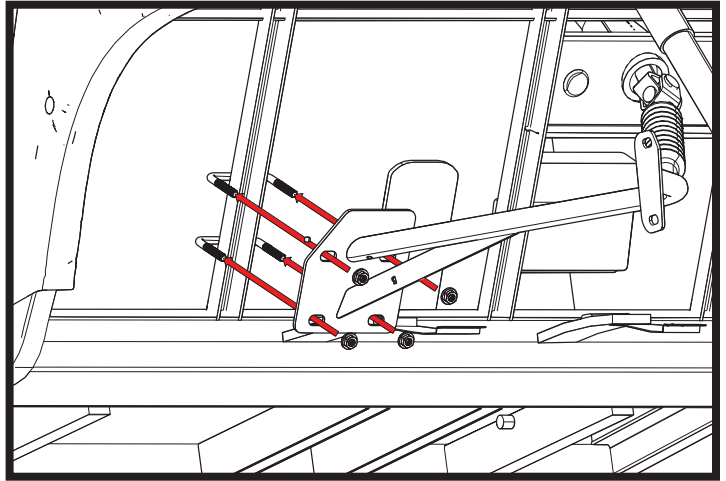


Fig. 7

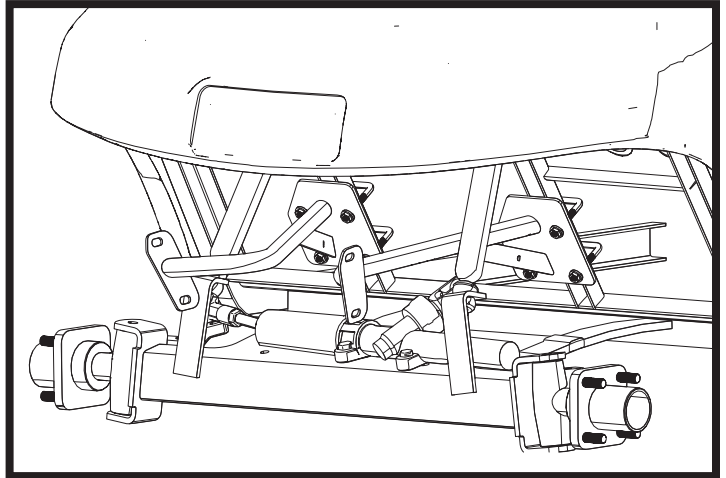


Fig. 8

Section A: Installing Brush Guard with Plate Style Side Wings

STEP 5

 5mm Allen Wrench
 13mm Wrench

Assemble one of the side brackets to the center section of the brushguard using one (1) m8 button head bolt, one (1) m8 nut, and two (2) m8 washers in the top hole. See Fig. 9. Position the side bracket as desired in relation to the center section and tighten this bolt to 28.8Nm (21.3 lb-ft). The bottom two holes will be used when assembling to the mounting arms. Repeat with the other side bracket.

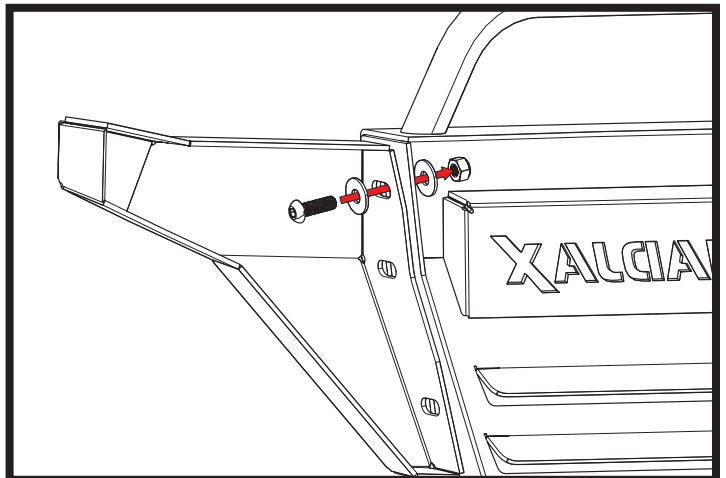


Fig. 9

STEP 6

Hold the brushguard assembly up to the mounting arms. Assemble it to the mounting arms using four (4) m8 button head bolts, four (4) m8 nuts, and eight (8) m8 washers as shown in Fig. 10. Tighten the hardware finger tight to allow for position adjustment.

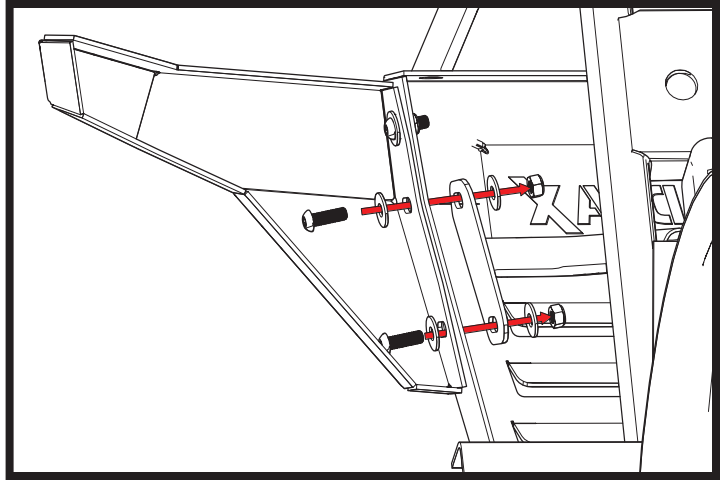



Fig. 10

STEP 7

 5mm Allen Wrench
13mm Wrench
16mm Wrench

Hold the brushguard in desired position in relation to the front cowl ensuring proper angle and gap between the brushguard and cowl as shown in Fig. 10. Tighten the mounting arms to the vehicle, alternating between each side of the u-bolts.

Finally, torque the m8 hardware holding the brushguard to the mounting arms to 28.8Nm (21.3 lb-ft).

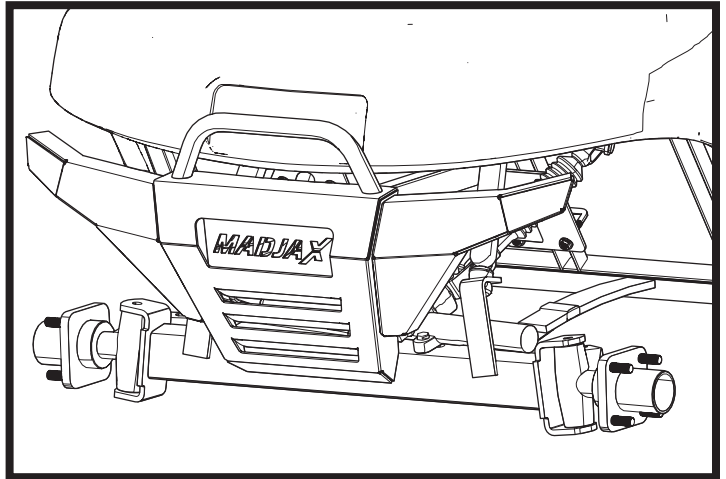


Fig. 11

Section B:
Installing Brush Guard with Tube Style Side Wings

STEP 9

Hold the brushguard center section up to the mounting arms and place one (1) m8 bolt through the bottom mounting hole of the center section and into the bottom mounting hole of the arms as shown in Fig. 12. Loosely secure this with one (1) m8 nut, and repeat on the opposite side. These bolts will only temporarily hold the center section in place while the side wings are being installed.

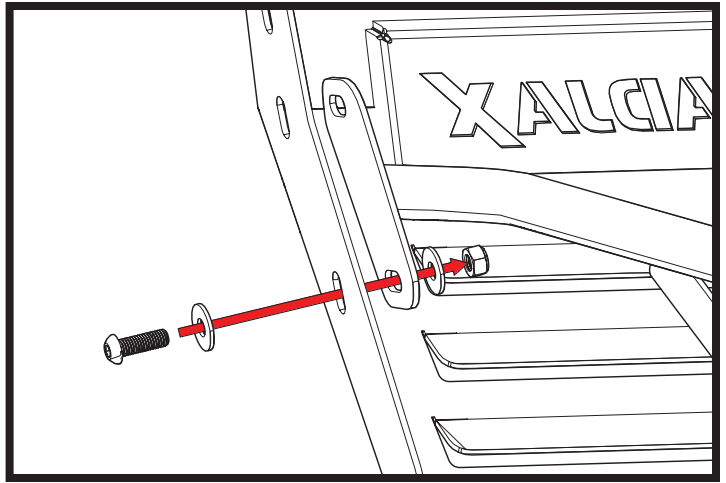


Fig. 12

STEP 10

Partially install one of the tube side wings to the center section and the mounting arm using one (1) m8 button head bolt, one (1) m8 nut, and two (2) m8 washers. This bolt will go through the top mounting hole of the side wing, the middle hole of the center section, and the top hole of the mounting arm bracket. See Fig. 13.

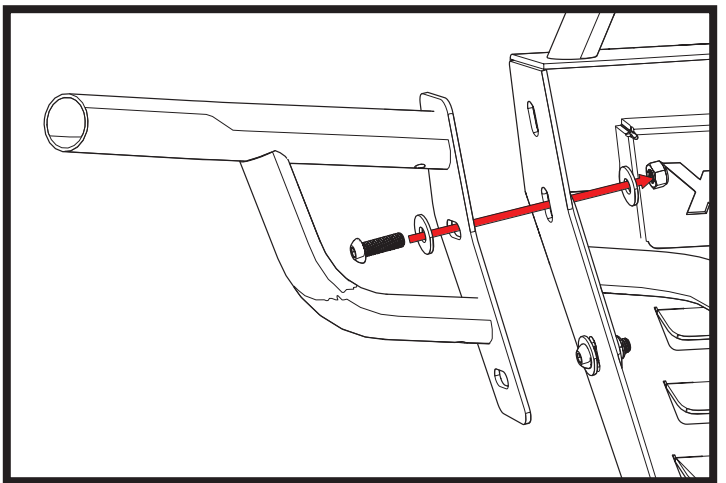
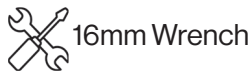


Fig. 13

Remove the temporary bolt from the lower mounting hole. Using similar hardware as the previous top mounting hole, position the side wing where desired in relation to the center section. Finger tighten the screws to hold it in place. Repeat this process for the opposite side wing.

STEP 11



Hold the brushguard in desired position in relation to the front cowl ensuring proper angle and gap between the brushguard and cowl. Tighten the mounting arms to the vehicle, alternating between each side of the u-bolts.

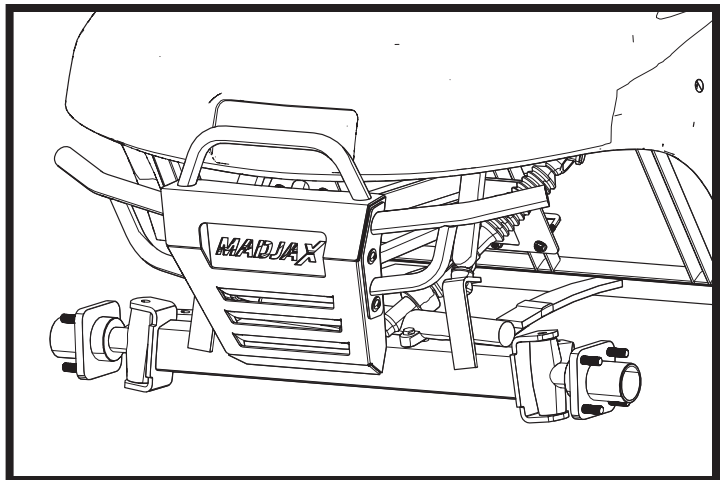


Fig. 14

INSTALLATION COMPLETE

E-Z-GO®, TXT®, RXV® and S4® are registered trademarks of Textron Innovations, Inc. Club Car®, Precedent®, DS®, Onward® and Tempo® are registered trademarks of Ingersoll Rand, Inc. Yamaha®, Yamaha® Drive®, Drive2®, G-14®, G-16®, G-19®, G-22® and G-29® are registered trademarks of Yamaha Golf-Car Company. Any reference to Club Car®, E-Z-GO®, or Yamaha® or their associated trademarks, word marks, and products are only for purposes of identifying golf carts with which this MadJax product is compatible. MadJax products are aftermarket parts and are not original equipment parts. MadJax is not connected to, affiliated with, sponsored by, or endorsed by either Textron Innovations, Inc., Ingersoll Rand, Inc., Yamaha Golf Cart Company, or any of their parent or subsidiary companies.