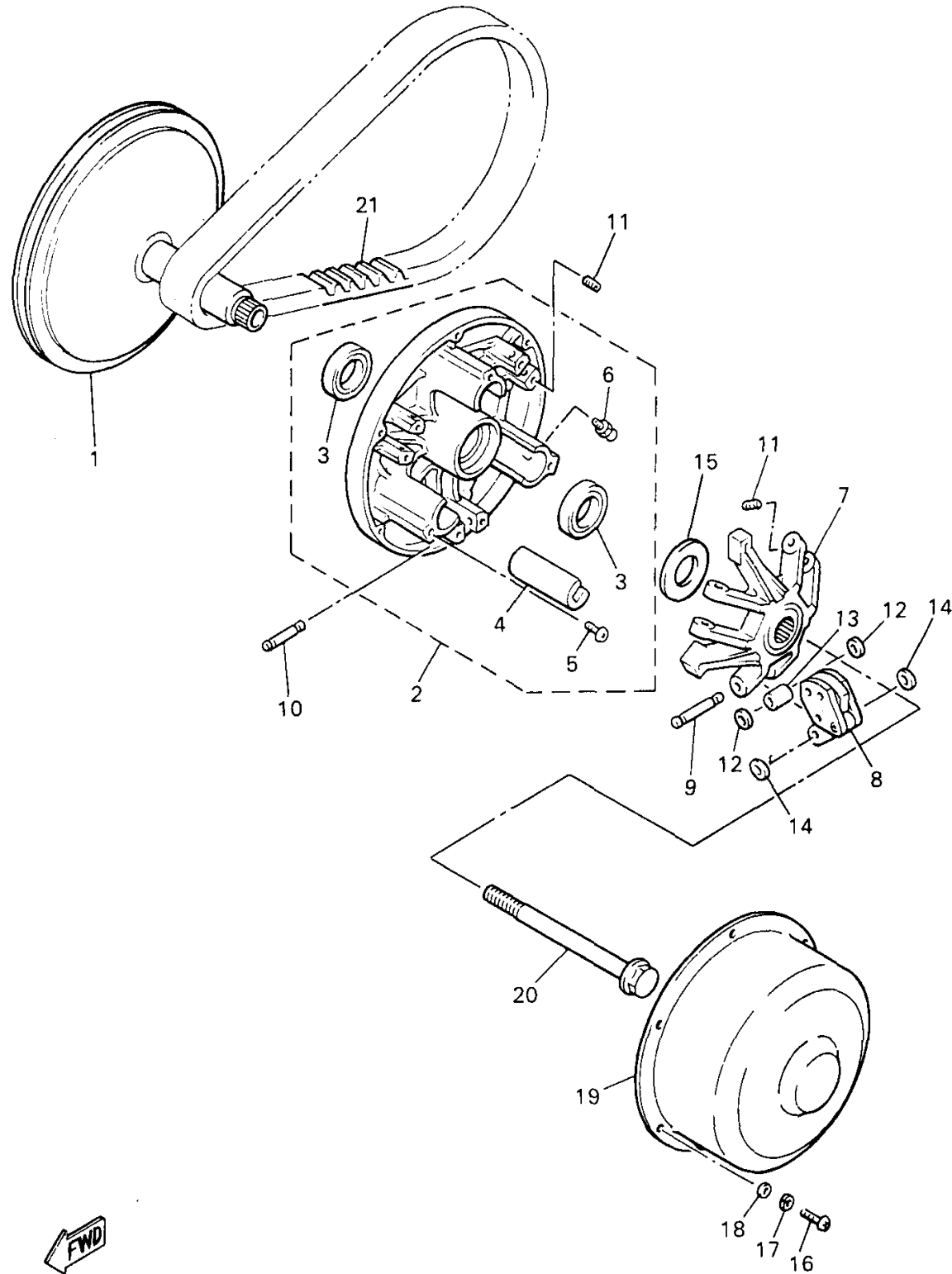


PRIMARY SHEAVE



Ref. No.	Part Number	Description	Qty	Remarks
1	J38-46210-01-00	PRIMARY FIXED SHEAVE COMP.	1	
2	J38-46220-00-00	PRIMARY SLIDING SHEAVE COMP.	1	
3	93102-28348-00	. OIL SEAL	2	
4	J38-46253-00-00	. SLIDER	3	
5	98907-05008-00	. SCREW, BIND	3	
6	93700-06M03-00	. NIPPLE, GREASE	1	
7	J38-46251-00-00	SPIDER	1	
8	JN5-46205-00-00	WEIGHT LINK ASSEMBLY	3	
9	J38-46236-00-00	PIN, WEIGHT	3	
10	J38-46237-00-00	PIN, WEIGHT 2	3	
11	90113-04050-00	BOLT, SET	12	
12	90202-07164-00	WASHER, PLATE	6	
13	90387-076U6-00	COLLAR	3	
14	90202-07186-00	WASHER, PLATE	6	
15	90201-286R9-00	WASHER, PLATE	1	
16	98507-05010-00	SCREW, PAN HEAD	6	
17	92907-05100-00	WASHER, SPRING	6	
18	92907-05600-00	WASHER, PLATE	6	
19	J38-46231-00-00	CAP	1	
20	J38-46249-00-00	BOLT	1	
21	J55-G6241-00-00	BELT	1	



JN3100-5200

